

TRU-VIEW BESPOKE

ELECTRIC FIREPLACE

Amantii



TRV55-Bespoke



TRV75-Bespoke



Modular Configuration as shown -
Two 45" TRV Bespoke units



TRV45-Bespoke



TRV65-Bespoke

TRU VIEW BESPOKE

ELECTRIC PERFECTION

Introducing the Tru View Bespoke series from Amantii Electric, the ultimate in electric fires, using cutting edge technology and innovation to provide instant heat, realistic flames and adaptive ambiance to your living space.

The Tru View Bespoke is the outstanding result of extensive research and development, meticulous attention to detail, and the highest standard of quality. With a host of innovative features, our electric fires are unrivalled in their class.

A versatile design that can be installed in a multitude of ways; connect multiple units to make a bold statement.

Unlike other fireplaces, the Tru View Bespoke features customizable installation and connectable units for a grand masterpiece. With the fireplace, optional connection pieces come included.

Instant heat at your fingertips.

Part of the Tru View Bespoke design is to ensure that the fireplace offers clear and simple control-ability. While functionality may have advanced and become more dynamic, we believe intuitive interaction is paramount.

The Tru View Bespoke can be controlled in three ways:

- Manually using the multi function control panel discretely located on the fireplace.
- With the intuitive remote control
- Through your smart device using WiFi connectivity.

With WiFi connectivity, enhance your experience with our smart app that enables you to control your fireplace from anywhere! The app allows you to set tailored programs, schedule on/off times, set temperatures, design custom light effects and so much more.

ADDITIONAL FEATURES

- Available in sizes 45", 55", 65", 75" and 85"
- Biggest and the Best - 20" Viewing area
- Double the heat output from 5000 to 10,000, when two units are joined together on 120V
- TRV 45 comes with 1 heater fan, Max 5000 BTU on 120V
- The TRV 55, 65, 75 & 85 come with 2 heater fans, Max 5000 BTU on 120V, or 10,000 BTU on 240V
- Electrical & BTU 120V, 1500W, 12.5 A and 5,000 BTU
240V, 2500W, 10.4 A and 10,000 BTU
2 units together 240V, 20,000 BTU

KEY FEATURES

- 5 Year Warranty
- Fire & Sound – Two (2) quality audio speakers deliver a fire crackling sound. The audio is an ON/OFF feature that can be controlled through the WiFi app.
- WiFi compatible to connect and control the fireplace from your smartphone with the use of our app. Available on the Google play store and the Apple App Store.
- Bluetooth Connectivity – Featuring a fireplace with high quality audio from Bluetooth speakers. Simply pair your phone with the fireplace and press play on your smartphone. 🎧
- Programmable timer & thermostat allows you to decide the temperature of the room. Set the fireplace to turn on before you arrive home or have it automatically turn on when the weather is cold.
- Smart Room Temperature Control - 59°F - 82°F or 15°C - 28°C
- 1465W 5000 BTU, heats up to 500 Sq. Ft. May also be wired up to 220 volts to increase the BTU output to 10,000 and heats up to 1,000 Sq. Ft.
- 50000 hours lifetime LED light source
- Approved for Outdoor Installations*
- Designed with front flow heating and hidden venting so that the unit can be recessed or semi flush mounted
- A clean reduced trim kit allows for a large viewing area with true lifelike flames that can not be rivaled.
- Adjustable flame brightness and speed that can be turned on separately.
- Adjustable ember bed colors that allow for the possibility of auto mixing thousands of colors.
- Most quiet and reliable components in the industry
- Patented thermostatic remote comes included
- Masonry finish to trim option

**Manufacturer guidelines regarding outdoor installation must be followed. Please refer to the owner's manual for additional information*

INCLUDED ACCESSORIES



FIREGLASS MEDIA



YOUR CHOICE:

DESIGN-MEDIA-DRIFT-15PCE

Now includes an additional 4 mini logs (Not Shown)



DESIGN-MEDIA-RUSTIC-14PCE



ICE MEDIA



FI-109-Diamond



DESIGN-MEDIA-BIRCH-15PCE



DESIGN-MEDIA-SPLIT-LOG-16PCE



NEW

DESIGN-MEDIA-OAK-18PCE OPTIONAL



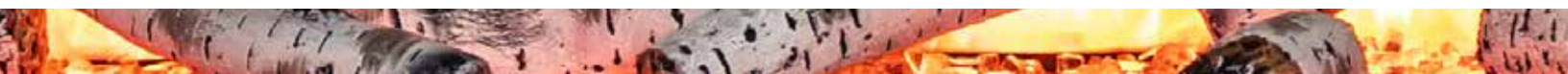
NEW



TECHNICAL SPECS

	TRV 45 BESPOKE	TRV 55 BESPOKE		TRV 65 BESPOKE	
Volts	120 V	120 V	240V	120 V	240V
Amps	12.5 A	12.5 A	12.1A	12.5 A	12.1 A
Watts	1465 W	1465 W	2930 W	1465 W	2930 W
BTU	5000	5000	10000	5000	10000
Heater - High	1465 W	1465 W	2930 W	1465 W	2930 W
Heater - Low	750 W	750 W	1500 W	750 W	1500 W
No Heater	45.2 WATTS MAX	46.3 WATTS MAX	46.3 WATTS MAX	57.1 WATTS MAX	57.1 WATTS MAX
Lamps - Quantity	150 PCS LED	192 PCS LED	192 PCS LED	218 PCS LED	218 PCS LED
Lamps - Watts	0.5 W & 0.15 W & 0.06 W	0.5 W & 0.15 W & 0.06 W	0.5 W & 0.15 W & 0.06 W	0.5 W & 0.15 W & 0.06 W	0.5 W & 0.15 W & 0.06 W
Total Watts	31.4 W	32.3W	32.3W	43.3 W	43.3 W
Step Motor	3 AT 8.7 WATTS	3 AT 8.7 WATTS	3 AT 8.7 WATTS	3 AT 8.7 WATTS	3 AT 8.7 WATTS
Appliance Size W*H*D	46 1/8" x 29 3/8" x 15"	56 1/8" x 29 3/8" x 15"		66 1/8" x 29 3/8" x 15"	
	117.2 x 74.6 x 38.2 cm	142.7 x 74.6 x 38.2 cm		168.1 x 74.6 x 38.2 cm	
Glass Viewing Opening W1*H1	45" x 20"	55" x 20"		65" x 20"	
	114.3 x 50.9 cm	139.7 x 50.9 cm		165.1 x 50.9 cm	
Surround Size W2*H2	45 1/4" x 29 5/8" x 13 1/4"	55 1/4" x 29 5/8" x 13 1/4"		65 1/4" x 29 5/8" x 13 1/4"	
	114.8 x 75.2 x 33.6 cm	140.2 x 75.2 x 33.6 cm		165.6 x 75.2 x 33.6 cm	
Shipping Size	51 5/8" x 18 7/8" x 34 5/8"	61 5/8" x 18 7/8" x 34 5/8"		71 5/8" x 18 7/8" x 34 5/8"	
	131 x 48 x 88 cm	156.4 x 48 x 88 cm		181.8 x 48 x 88 cm	
Shipping Weight	155.5 LBS (70.7) KGS	184.8 LBS (84)KGS		211.2 LBS (96)KGS	
Plug Location	LEFT SIDE	LEFT SIDE		LEFT SIDE	
Cord Length	70.9<L<95.5	70.9<L<95.5		70.9<L<95.5	
Approx Heating Area	400 SQ FT	400 SQ FT		400 SQ FT	

	TRV 75 BESPOKE		TRV 85 BESPOKE	
Volts	120V	240V	120 V	240V
Amps	12.5 A	12.1 A	12.5 A	12.1 A
Watts	1465 W	2930 W	1465 W	2930 W
BTU	5000	10000	5000	10000
Heater - High	1465 W	2930 W	1465 W	2930 W
Heater - Low	750 W	1500 W	750 W	1500 W
No Heater	67.7 WATTS MAX	67.7 WATTS MAX	73.1 WATTS MAX	73.1 WATTS MAX
Lamps - Quantity	291 PCS LED	291 PCS LED	335 PCS LED	335 PCS LED
Lamps - Watts	0.5 W & 0.15 W & 0.06 W	0.5 W & 0.15 W & 0.06 W	0.5 W & 0.15 W & 0.06 W	0.5 W & 0.15 W & 0.06 W
Total Watts	54.2 W	54.2 W	59.6 W	59.6 W
Step Motor	3 AT 8.7 WATTS	3 AT 8.7 WATTS	3 AT 8.7 WATTS	3 AT 8.7 WATTS
Appliance Size W*H*D	76 1/8" x 29 3/8" x 15"		86 1/8" x 29 3/8" x 15"	
	193.5 x 74.6 x 38.2 cm		218.9 x 74.6 x 38.2 cm	
Glass Viewing Opening W1*H1	75" x 20"		85" x 20"	
	190.5 x 50.9 cm		215.9 x 50.9 cm	
Surround Size W2*H2	75 1/4" x 29 5/8" x 13 1/4"		85 1/4" x 29 5/8" x 13 1/4"	
	191 x 75.2 x 33.6 cm		216.5 x 75.2 x 33.6 cm	
Shipping Size	81 5/8" x 18 7/8" x 34 5/8"		91 5/8" x 18 7/8" x 34 5/8"	
	207.2 x 48 x 88 cm		232.6 x 48 x 88 cm	
Shipping Weight	245.3 LBS (111.5)KGS		280.5 LBS (127.5)KGS	
Plug Location	LEFT SIDE		LEFT SIDE	
Cord Length	70.9<L<95.5		70.9<L<95.5	
Approx Heating Area	400 SQ FT		400 SQ FT	

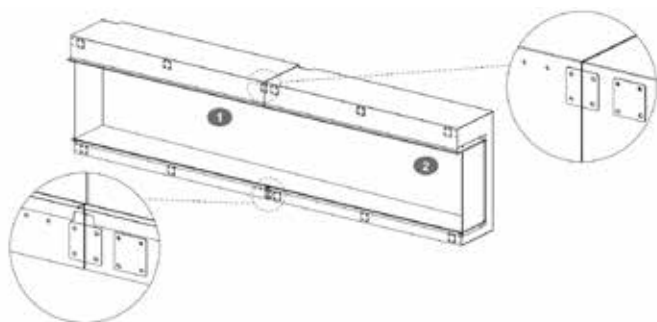


THE COMBINATION POSSIBILITIES ARE ENDLESS

It is possible to make multiple sizes by simply placing two or three units together of any size. A linear fireplace of 90" can be created by joining two 45" Tru View Bespoke units together.

Combine a 55" and 65" Tru View Bespoke for 120". Combining two units of 75" would be a custom 150" electric fireplace. A Tru View Bespoke linear fireplace of 185" would consist of two 55" and one 75" unit.

Anything can be combined, and the possibilities are endless



45" & 45" for 90"
 45" & 55" for 100"
 45" & 65" for 110"
 45" & 75" for 120"
 45" & 85" for 130"
 75" & 45" for 120"
 75" & 55" for 130"
 75" & 65" for 140"
 75" & 75" for 150"
 75" & 85" for 160"

55" & 45" for 100"
 55" & 55" for 110"
 55" & 65" for 120"
 55" & 75" for 130"
 55" & 85" for 140"
 85" & 45" for 130"
 85" & 55" for 140"
 85" & 65" for 150"
 85" & 75" for 160"
 85" & 85" for 170"

65" & 45" for 110"
 65" & 55" for 120"
 65" & 65" for 130"
 65" & 75" for 140"
 65" & 85" for 150"



TRV 45 Bespoke



TRV 55 Bespoke



TRV 65 Bespoke



TRV 75 Bespoke



TRV 85 Bespoke

INTRODUCING...

THE AMANTII SMART APP

SMART TECHNOLOGY, SMART CONTROL

With Amantii, the combination of functionality with applied smart technology creates the ultimate heating experience. Complete with WiFi connectivity, enhance the user experience with our Smart App that enables you to control your appliance from anywhere! Our app allows you to set tailored programs, schedule the exact date and time you wish to heat your room and select a desired temperature, design custom fire light effects, plus much more.



HOME

FLAME SETTINGS, BRIGHTNESS,
 COLOR & SPEED

HEATER OPTIONS

CANOPY SETTINGS
 Display of how the setting is off

**It is important to note that the App's interface is subject to change*